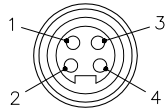
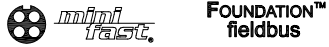


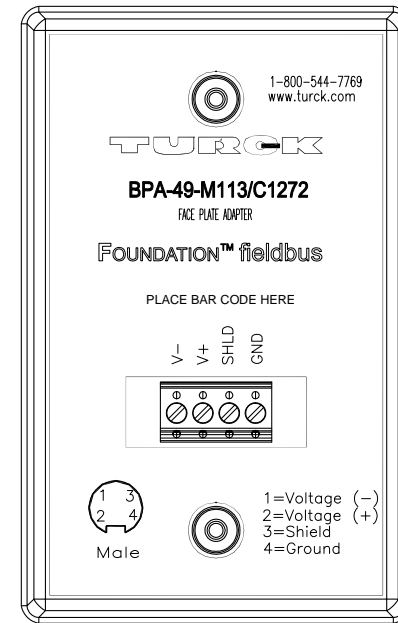
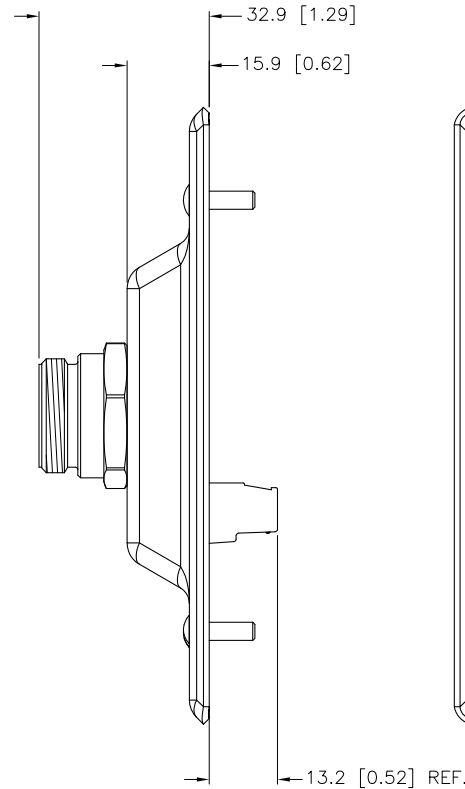
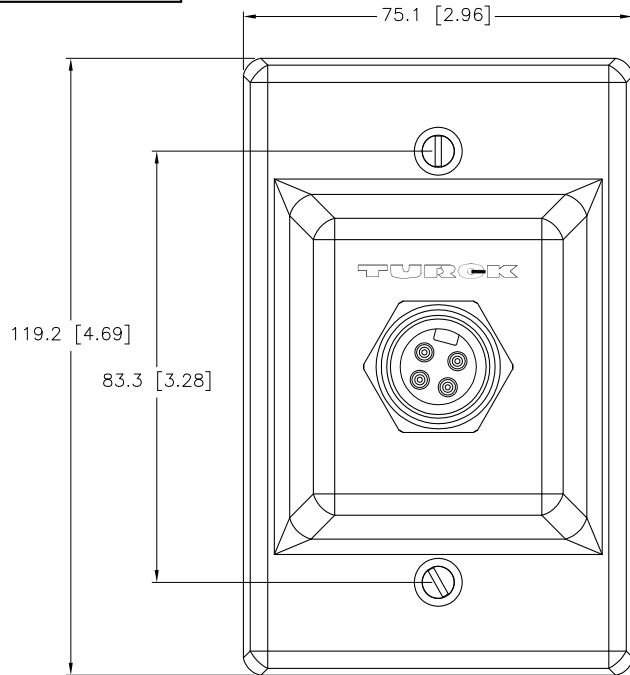
MALE END VIEW



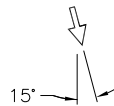
- 1 = BLUE (- VOLTAGE)
- 2 = BROWN (+ VOLTAGE)
- 3 = BARE (SHIELD)
- 4 = GREEN/YELLOW (GROUND)



SPECIFICATIONS	
WALL PLATE MATERIAL	16 GA. 316 STAINLESS STEEL
RECEPTACLE HOUSING MATERIAL	STAINLESS STEEL, PASSIVATED
SEALING GASKET MATERIAL	CLOSED CELL POLYETHYLENE FOAM
MOUNTING HARDWARE (SUPPLIED)	6-32 SCREWS, STAINLESS STEEL
CONTACT CARRIERS/COLOR	TPU/BLACK
CONTACTS	GOLD-PLATED BRASS
OPERATING VOLTAGE	300 V
OPERATING CURRENT	9.0 A
PROTECTION CLASS to DIN 40050	IP 67 - ONLY WHEN ALL RECEPTACLES ARE COVERED WITH PLUGS OR CONNECTED
OPERATING TEMPERATURE	-40°C to +70°C (-40°F to +158°F)



NOTE: THIS DEVICE SHOULD ONLY BE USED IN A BUS-IN CAPACITY. FAILURE TO DO SO MAY CAUSE PHYSICAL INJURY AND/OR DEATH.



- NOTES:
- 1) GASKET NOT SHOWN FOR CLARITY.

↑ = 90° CORDSET CABLE DIRECTION

SOURCE DRAWING - FOR REFERENCE ONLY

RELATED DOCUMENTS 1. 2. 3. 4.	3RD ANGLE PROJECTION 	THIS DRAWING IS PROPERTY OF TURCK INC. USE OF THIS DOCUMENT WITHOUT WRITTEN PERMISSION IS PROHIBITED.		3000 CAMPUS DRIVE MINNEAPOLIS, MN 55441 1-800-544-7769 (763) 553-7300 (763) 553-0708 fax turck.com	
	MATERIAL	DRFT TR	DATE 07/18/07	DESCRIPTION BPA-49-M113/C1272	
FINISH	ALL DIMENSIONS DISPLAYED ON THIS DRAWING ARE FOR REFERENCE ONLY CONTACT TURCK FOR MORE INFORMATION	DSGN	SCALE 1=1.5	IDENTIFICATION NO. U3-10620	
		UNIT OF MEASUREMENT MILLIMETER [INCH]		REV B	
B	DRAWING PROCESSED AS PART OF ECO 33971	CBM	04/07/11	33971	
REV	DESCRIPTION	BY	DATE	ECO NO.	
DO NOT SCALE THIS DRAWING				FILE: U3-10620	SHEET 1 OF 1